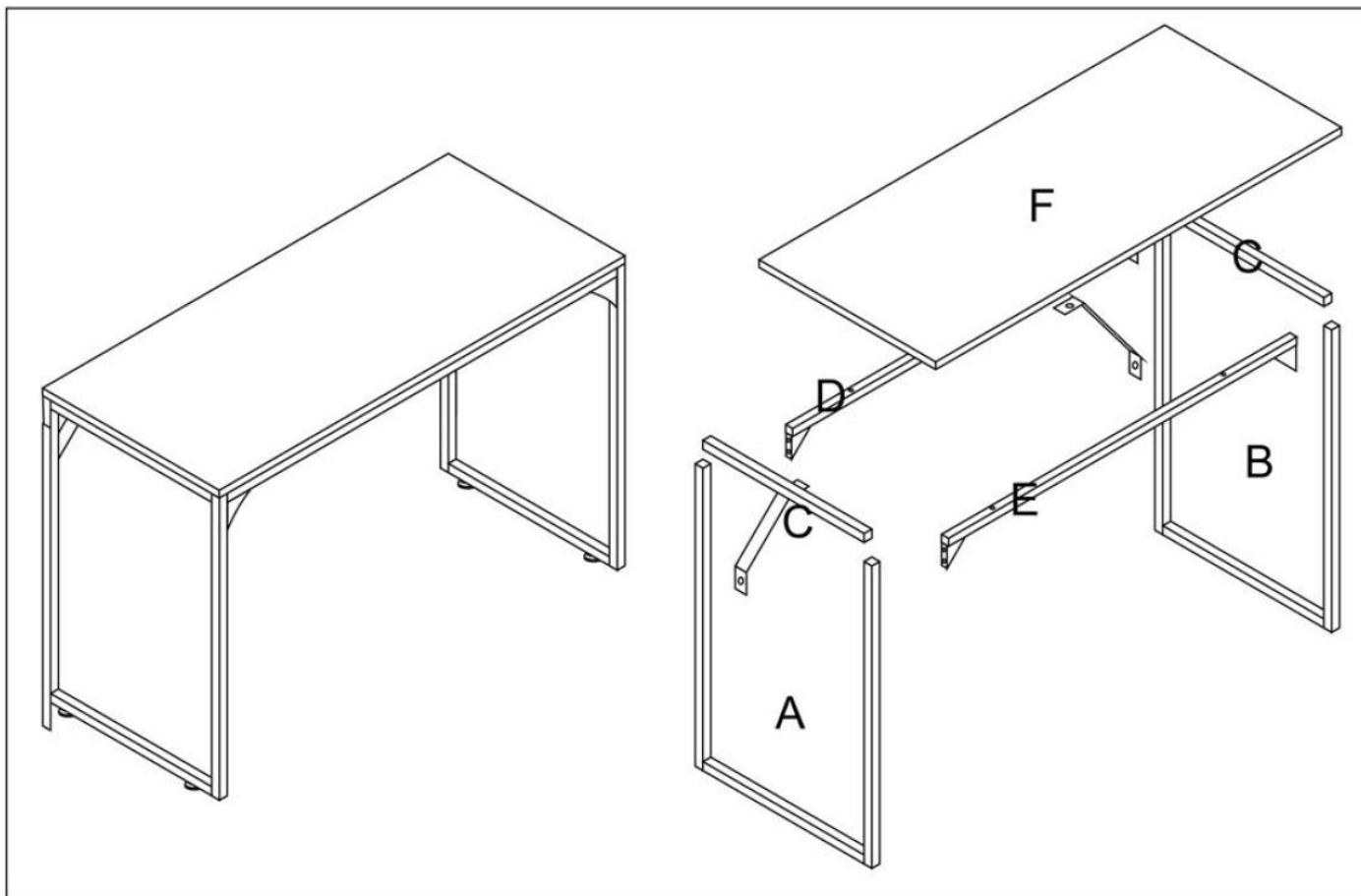

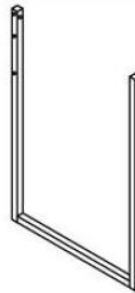

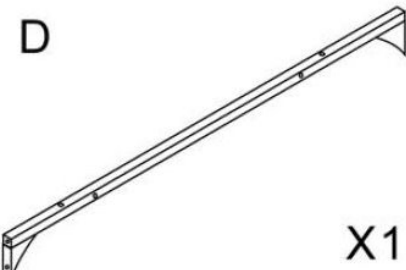
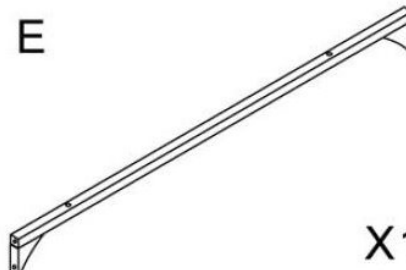
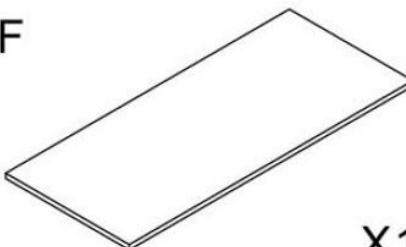
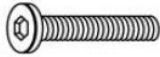

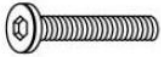



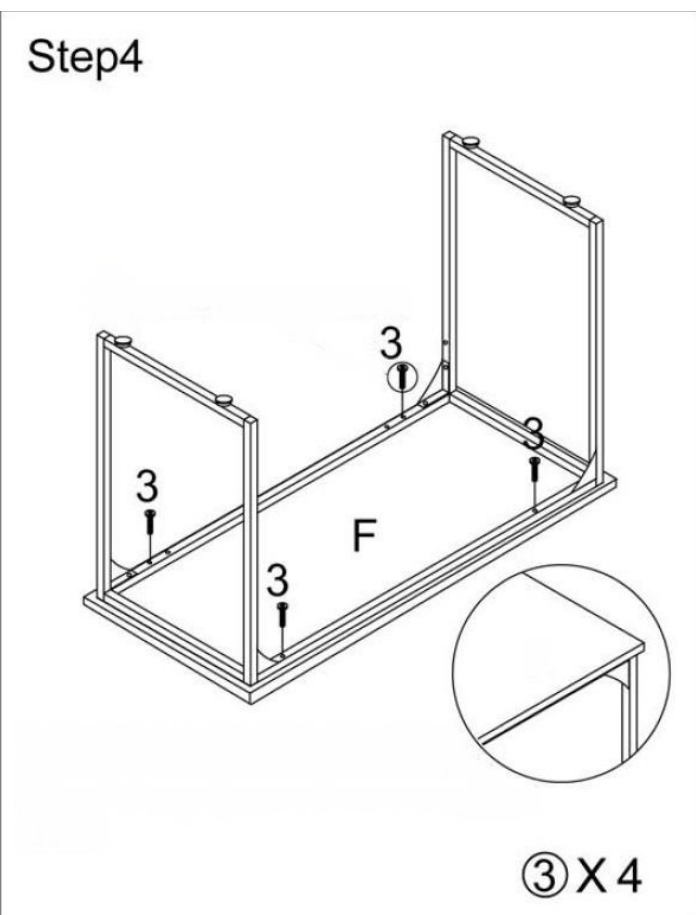
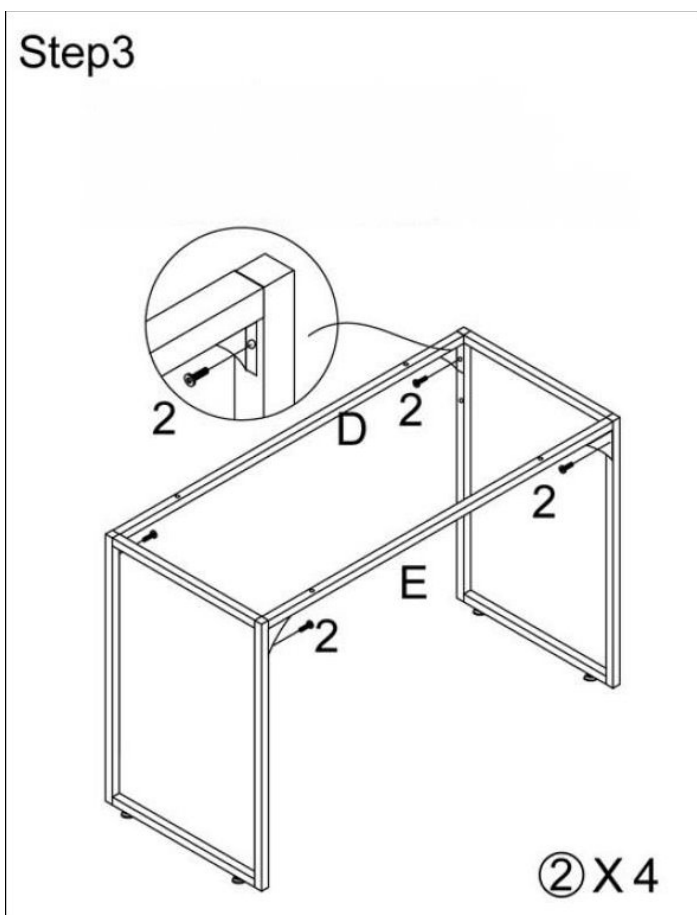
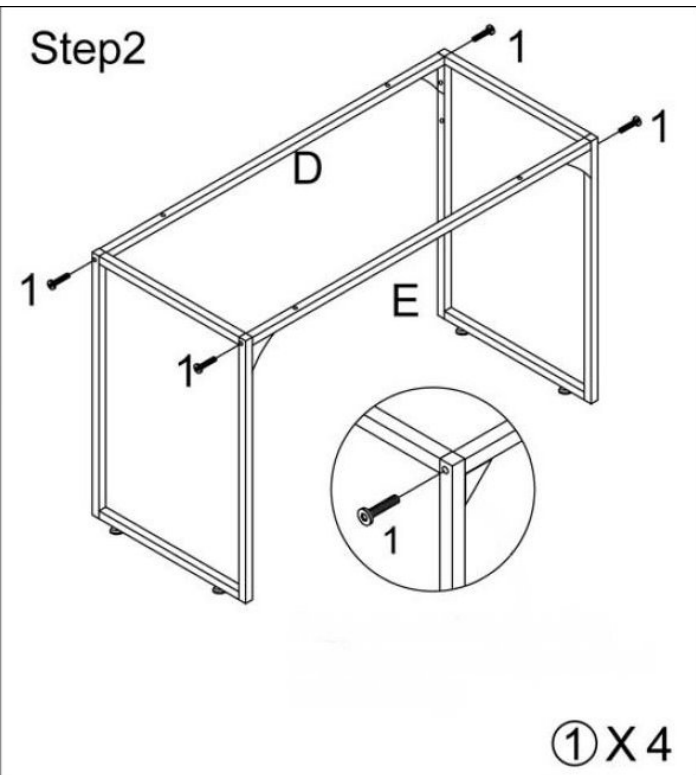
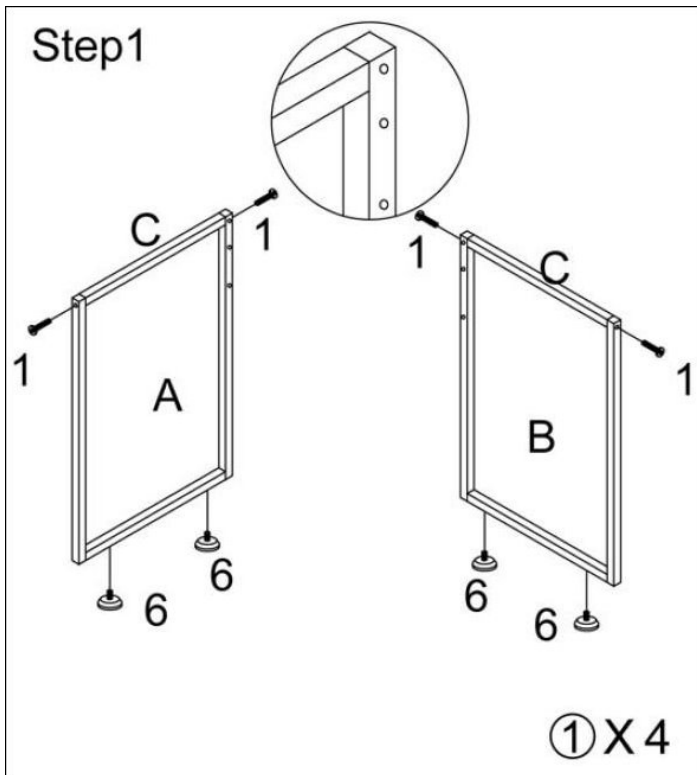


WORKSPACE I u.II

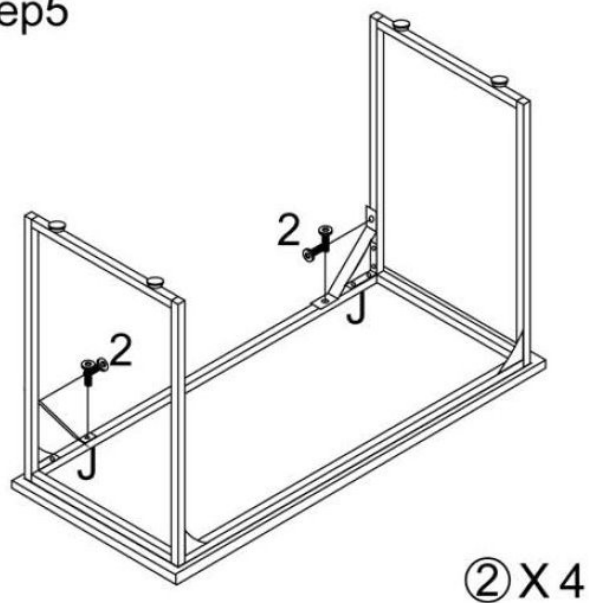
hjh.[®]
OFFICE



<p>A</p>  <p>X1</p>	<p>B</p>  <p>X1</p>	<p>C</p>  <p>X2</p>			
<p>D</p>  <p>X1</p>	<p>E</p>  <p>X1</p>	<p>F</p>  <p>X1</p>			
<p>1</p>  <p>8pcs</p>	<p>2</p>  <p>8pcs</p>	<p>3</p>  <p>4pcs</p>	<p>4</p>  <p>X2</p>	<p>5</p>  <p>X1</p>	<p>6</p>  <p>X4</p>



Step5



Step6

